

# Technical data sheet

## Product features



### Cooking range gas 8x burner on open cabinet

<b>Model</b>	<b>SAP Code</b>	00002955
--------------	-----------------	----------



- Device type: Gas unit
- Power consumption of the zone 1 [kW]: 10
- Power consumption of the zone 2 [kW]: 10
- Power consumption of the zone 3 [kW]: 7
- Power consumption of the zone 4 [kW]: 7
- Power consumption of the zone 5 [kW]: 7
- Power consumption of the zone 6 [kW]: 7
- Ignition: Eternal flame
- Protection of controls: IPX5
- Material: AISI 304

<b>SAP Code</b>	00002955	<b>Power consumption of the zone 1 [kW]</b>	10
<b>Net Width [mm]</b>	1600	<b>Power consumption of the zone 2 [kW]</b>	10
<b>Net Depth [mm]</b>	900	<b>Power consumption of the zone 3 [kW]</b>	7
<b>Net Height [mm]</b>	900	<b>Power consumption of the zone 4 [kW]</b>	7
<b>Net Weight [kg]</b>	156.00	<b>Power consumption of the zone 5 [kW]</b>	7
<b>Power gas [kW]</b>	56.000	<b>Power consumption of the zone 6 [kW]</b>	7
<b>Type of gas</b>	Natural gas, propane butane	<b>Power consumption of the zone 7 [kW]</b>	4
<b>Number of zones</b>	8	<b>Power consumption of the zone 8 [kW]</b>	4

# Technical data sheet

Technical drawing

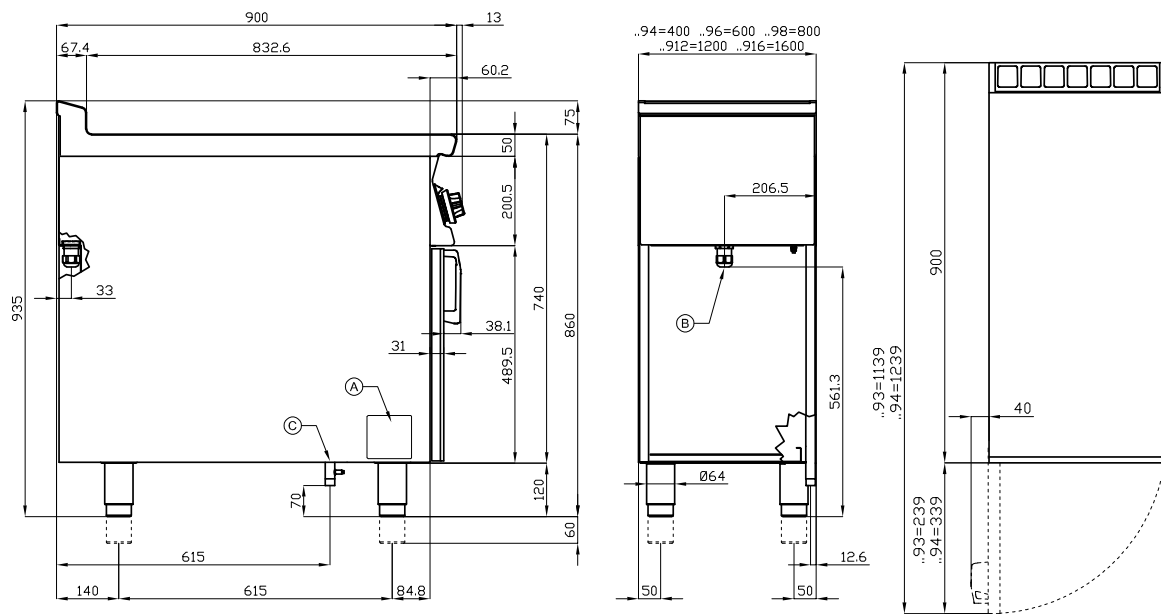


## Cooking range gas 8x burner on open cabinet

Model

SAP Code

00002955



A	Data plate		C	Gas connection	ISO 7-1 3/4" M
---	------------	--	---	----------------	----------------

# Technical data sheet

## Product benefits



### Cooking range gas 8x burner on open cabinet

Model

SAP Code

00002955

1

#### Massive construction of burners

- high performance and efficiency
- brass burners removable
- eternal flame
- long life
- demountable
  - energy saving (perfect combustion)
  - time saving for food preparation
  - easy maintenance/cleaning

2

#### Hygienic moldings of the top plate

- absence of sharp corners and edges (potential places where dirt could stick)
- smooth transitions
  - easy quick cleaning

3

#### Degree of protection of the control elements IPX5

- maintenance-free system
- resistance to splash water
- long life
  - savings on service interventions
  - easy cleaning and maintenance of equipment

4

#### All-stainless design

- the material does not cut
- wear resistance of the material
- long life
  - savings on service interventions
  - easy cleaning and maintenance of equipment

5

#### Safety element – thermocouple

- safe operation for personnel
- there is no overheating and damage to the thallus
- long life
  - savings on service interventions
  - easier and faster operation

# Technical data sheet

Technical parameters



## Cooking range gas 8x burner on open cabinet

**Model**

**SAP Code**

00002955

**1. SAP Code:**

00002955

**2. Net Width [mm]:**

1600

**3. Net Depth [mm]:**

900

**4. Net Height [mm]:**

900

**5. Net Weight [kg]:**

156.00

**6. Gross Width [mm]:**

1670

**7. Gross depth [mm]:**

1050

**8. Gross Height [mm]:**

1120

**9. Gross Weight [kg]:**

182.00

**10. Device type:**

Gas unit

**11. Construction type of device:**

With substructure

**12. Power gas [kW]:**

56.000

**13. Ignition:**

Eternal flame

**14. Type of gas:**

Natural gas, propane butane

**15. Protection of controls:**

IPX5

**16. Exterior color of the device:**

Stainless steel

**17. Material:**

AISI 304

**18. Worktop type:**

Molded - comfortable cleaning maintenance

**19. Worktop material:**

AISI 304

**20. Worktop Thickness [mm]:**

2.00

**21. Number of zones:**

8

**22. Power consumption of the zone 1 [kW]:**

10

**23. Power consumption of the zone 2 [kW]:**

10

**24. Power consumption of the zone 3 [kW]:**

7

**25. Power consumption of the zone 4 [kW]:**

7

**26. Power consumption of the zone 5 [kW]:**

7

**27. Power consumption of the zone 6 [kW]:**

7

**28. Power consumption of the zone 7 [kW]:**

4

# Technical data sheet

Technical parameters



## Cooking range gas 8x burner on open cabinet

Model

SAP Code

00002955

### 29. Power consumption of the zone 8 [kW]:

4

### 34. Adjustable feet:

Yes

### 30. Number of power control stages:

6

### 35. Number of burners/hot plates:

8

### 31. Grid material:

Cast iron

### 36. Type of gas cooking zones:

Classic

### 32. Service accessibility:

From the front by removing the front panel and waste fluid containers

### 37. Burner type:

Brass, detachable

### 33. Safety thermocouple:

Yes

### 38. Connection to a ball valve:

1/2